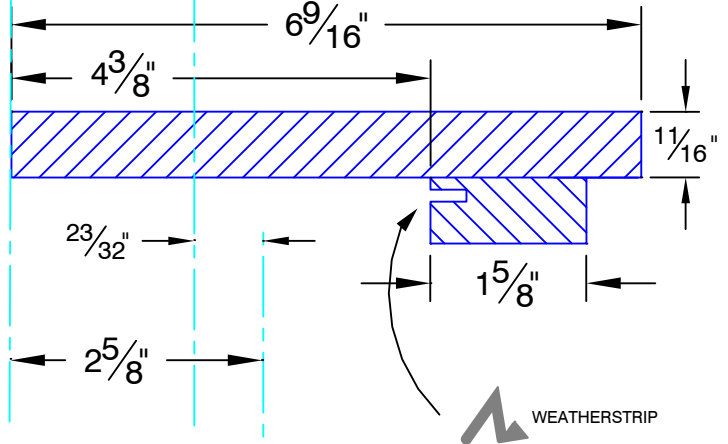
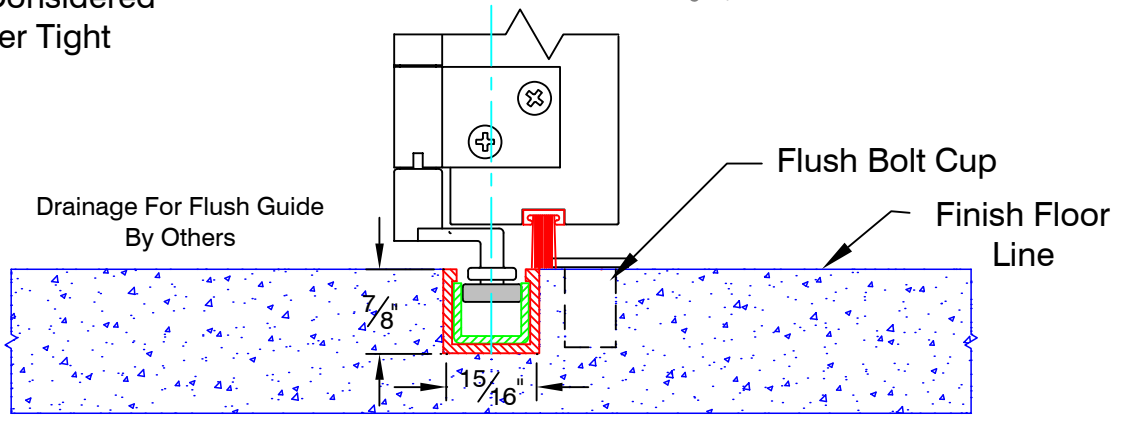


Swing Direction



Note: Flush Guides
 Are Not Considered
 Weather Tight



E3 Wood With Std. Threshold

SCALE - 6" = 1' - 0"

DWG - E3 - IWW